

TX7221

Addressable 4input / 4output Multi-Module

Features and Benefits

- EN54-18 Compliance
- Built-in MCU processor and digital addressing
- Enhanced capacity of interference resistance by using multilevel wave filtering process
- Four circuits 24Vdc/3A Output relay contact
- One sounder circuit output.
- Four circuits Input Fire or Supervisory signal configuration
- Parallel connecting to 16 conventional detectors
- Input Cable monitored
- LED status indicator

Overview

The TX7221 Addressable 4 Input/ 4output Module is characterized as 4 inputs power limited and 4 outputs volt free relay with additional sounder circuit output. The output relay is normally used for overriding equipment such as lift return, door holder, smoke extract fans, air handling unit, auto dialler to fire brigade, BMS and etc. Also, the input circuit is used to acknowledge normally open monitor signal from interface equipment then sending communication signal to the control panel, ideally for monitoring sprinkler system, pressure switch, position switch, signal valves and other third-party equipment such as conventional panel. In addition, the unit incorporates an intelligent processor that provides automatic monitoring for both open and short circuit of the input signal line. All interfaces can be seen on the panel and can be configured on the command builder to create requirement for fire event scenario, as each circuit has it own unique address, this module occupied 9 address.

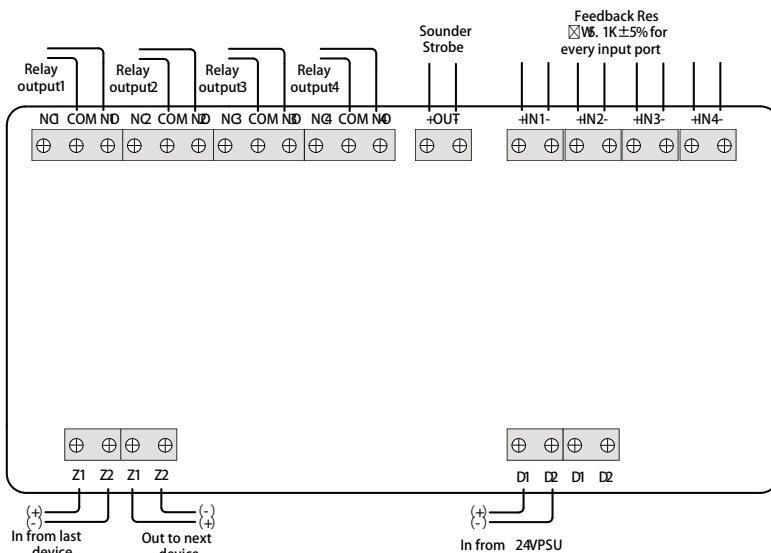
The unit manufactured base on the requirement of EN 54 part 18, European Standard. The TX7221 Module is compatible to the TX7004 Analogue Intelligent Fire Alarm Control Panel, produced by single manufacture T&A, to avoid addressable communication compatibility problem.

Technical Specification

Power Rating	
Input Voltage	Loop Power:24VDC [18V to 28V]
External PSU	20 to 28VDC
Current Consumption	Standby 1.5mA, Alarm: 25mA (at 4 active relays)
Module	
Output Relay	4 Circuit: Normally Open/ Close dry contact
Control output voltage	24VDC / 3A rating (per circuit)
Sounder Circuit Output	24VDC Power Limited
Input Relay	4 Circuit: Normally Open dry contact
Input Resistance	5.1Kohms/ ¼ W

Protocol/ Addressing	T&A, Occupied 9 address
Indicator Status	Normal: Single blink/Active: Steady/Fault: Double Blink
Material	PCB
Dimension	150 mm x 100 mm
Weight	360 g
Operating Temperature	-10°C to +50°C
Humidity	0 to 95% Relative Humidity, Non condensing

Module and Wiring Details



Terminal Description

- Z1 Signal In (+)
- Z1 Signal Out (+)
- Z2 Signal In (-)
- Z2 Signal Out (-)
- D1 External Power Supply In (+)
- D2 External Power Supply In (-)
- NC1_COM_NO1 (Relay1): Output
- NC2_COM_NO2 (Relay2): Output
- NC3_COM_NO3 (Relay3): Output
- NC4_COM_NO4 (Relay4): Output
- Out: Sounder Circuit Output
- IN1 (Relay 1): Normally Open Input
- IN2 (Relay 2): Normally Open Input
- IN3 (Relay 3): Normally Open Input
- IN4 (Relay 4): Normally Open Input