



TX7200

Addressable Input Module

Features and Benefits

- EN54-18 Compliance
- LPCB Pending
- Built-in MCU processor and digital addressing
- Fire or Supervisory signal configuration
- Input cable monitored
- Normally open configuration
- LED status indicator
- Loop powered device
- Aesthetically pleasing design
- Surface mounting with fix base for simple installation

Overview

The TX7200 Addressable Input Module is used to acknowledge normally open monitor signal from interface equipment then sending communication signal to the control panel, ideally for monitoring sprinkler system, pressure switch, position switch, signal valves and other third party equipment such as conventional panel.

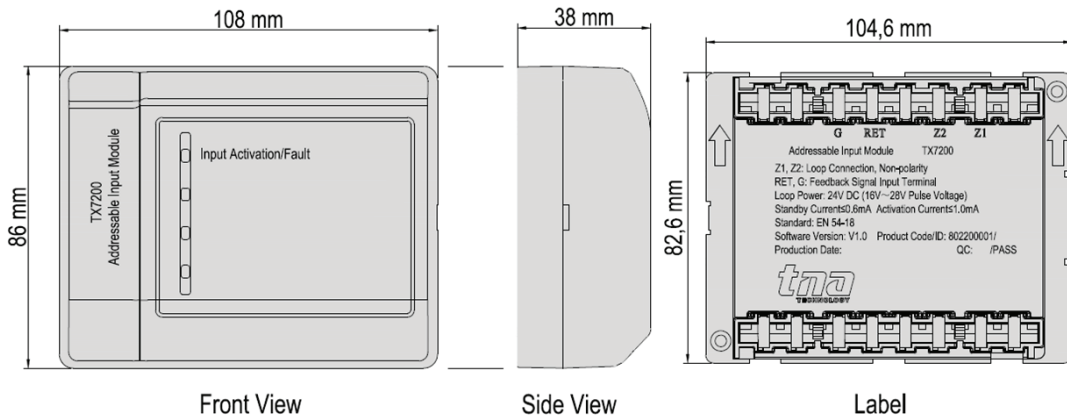
The unit manufactured base on the requirement of EN 54 part 18, European Standard. The unit is aesthetically pleasing with unobtrusive design that will complement modern building designs and its plug-in type assemblies make installation and maintenance more convenient to the installer. The unit incorporates an intelligent processor that provides automatic monitoring for both open and short circuit of the input signal line. The TX7200 Input Module is compatible to the TX7004 Analogue Intelligent Fire Alarm Control Panel, produced by single manufacture T&A, to avoid addressable communication compatibility problem.

Technical Specification

Listed	LPCB Pending
Compliance	EN54-18:2005/AC2007
Power Rating	
Input Voltage	24VDC [16V to 28V]
Current Consumption Standby	0.6mA, Alarm: 1.0Ma
Module	
Protocol/ Addressing	T&A, Value range from 1 to 254
Input Relay	Normally Open dry contact
Input Resistance	5.1Kohms/ ¼ W
Indicator Status	Normal: Single blink/Active: Steady/Fault: Double Blink

Material / Colour	ABS / White Glossy finishing
Dimension / LWH	108 mm x 86 mm x38 mm
Weight	155g (with Base), 85g (without Base)
Operating Temperature	-10°C to +50°C
Ingress Protection Rating	IP30
Humidity	0 to 95% Relative Humidity, Non condensing

Module and Wiring Details



Terminal Description

- Z1 Signal In (+)
- Z1 Signal Out (+)
- Z2 Signal In (-)
- Z2 Signal Out (-)
- RET Input Cable
- G Input Cable
- Note: Fit 5.1Kohms (1/4W) Resistor at the end of the cable.

