



TX7222

Addressable Zone monitor and sounder circuit module

Features and Benefits

- TÜV certified according to EN 54-18:2005 EN 54-18:2005/AC:2007
- Built-in MCU processor and digital addressing.
- Intelligent self-diagnosis of open circuit
- Onsite Adjustable Parameter
- Loop and external power input Module
- mounting with a fixed base for simple installation

Overview

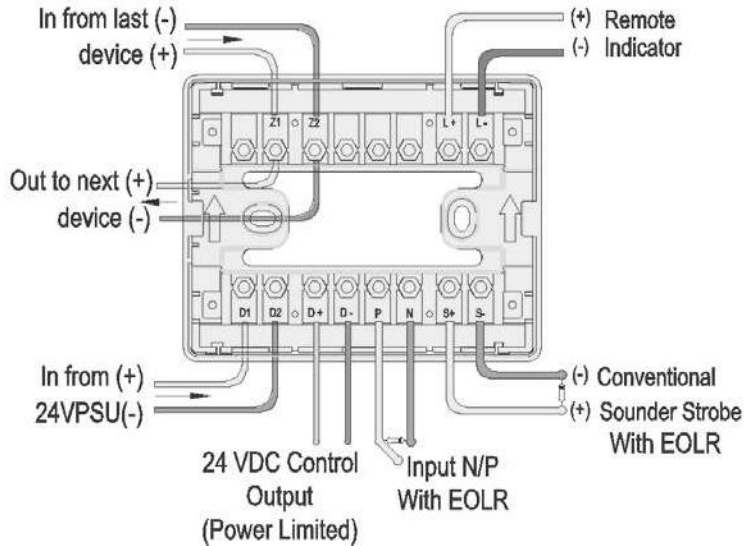
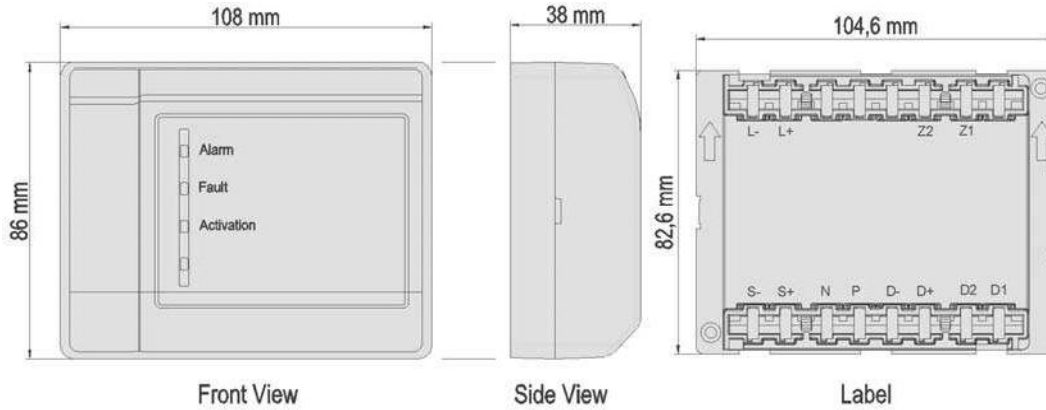
The TX7222 is a compact addressable interface module designed to connect conventional detectors, manual call points, and conventional sounder/strobe circuits to an addressable fire alarm system. When any connected device enters alarm condition, the module transmits the corresponding addressable alarm signal to the fire alarm control panel. Featuring a modern, unobtrusive design and plug-in structure, the TX7222 allows quick installation and easy maintenance. It is fully compatible with the TX7004 Analogue Intelligent Fire Alarm Control Panel from TANDA, ensuring seamless communication and system integration.

Technical Specification

Power Rating	
Input Voltage	Loop Power: 24VDC [16V to 28V] External PSU: 20 to 28VDC
Current Consumption	Loop: Standby: 1.5mA, Alarm: 6mA External PSU: Standby 15mA, Alarm: 500mA
Control output voltage	24VDC (Only for the use of TX7130, The normally open output)
End of line Resistance	5.1Kohms/ ¼ W
Protocol/ Addressing	T&A, Value range from 1 to 254

Weight	162g (with Battery and base)
Material/Color	ABS / white Glossy
Dimension / LXHXW	108mm x 86mm x 38mm
Operating Temperature	-10°C to +55°C
IP rating	30
Humidity	0 to 95% Relative Humidity, Non-condensing





Terminal Description

- Z1 Signal In Non-polarity
- Z2 Signal In Non-polarity
- L+ Remote Indicator (+)
- L- Remote Indicator (-)
- D1 External Power Supply In (+)
- D2 External Power Supply In (-)
- D+, D- Output Cable(Only for the use of TX7130)
- N connect detectors, Non-polarity
- P connect detectors, Non-polarity
- S+ Conventional Sounder Strobe (+)
- S- Conventional Sounder Strobe (-)

