

# TXC7300

## Conventional Sounder Strobe



### Features and Benefits

- EN 54-3:2014+A1:2019
- TÜV Approved
- Easy to install
- Compatible with the latest EN standards
- Strobe with a high-intensity LED cluster

### Overview

The TXC7301 conventional sounder strobe is a non-coding acoustic and optical alarm equipment installed in the field. When the acoustic and optical alarm starts, a strong acoustic and optical alarm signal is emitted to remind the attention of the scene personnel. This product is small in appearance and design, convenient for installation, and reliable in use, suitable for hotels, Restaurants, computer rooms, banks, shopping malls, warehouses, museums, libraries, and office Buildings and other places.

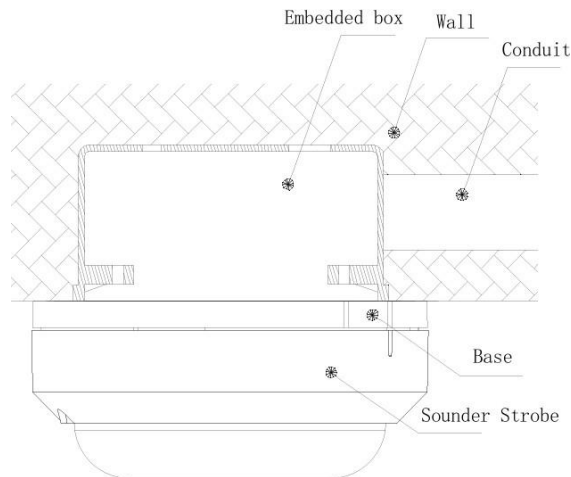
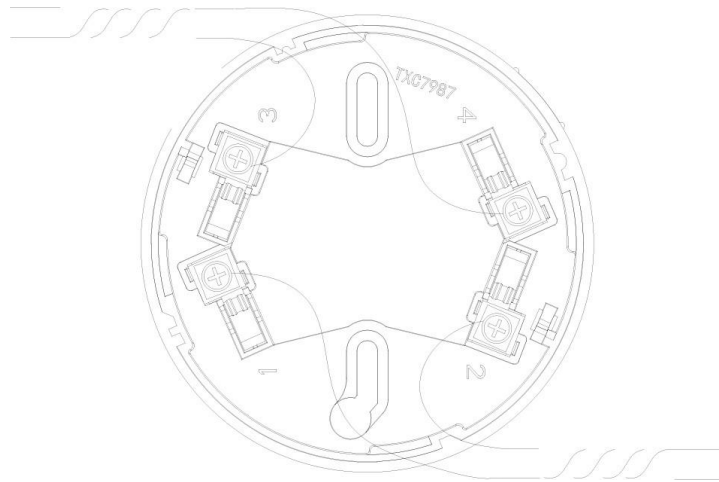
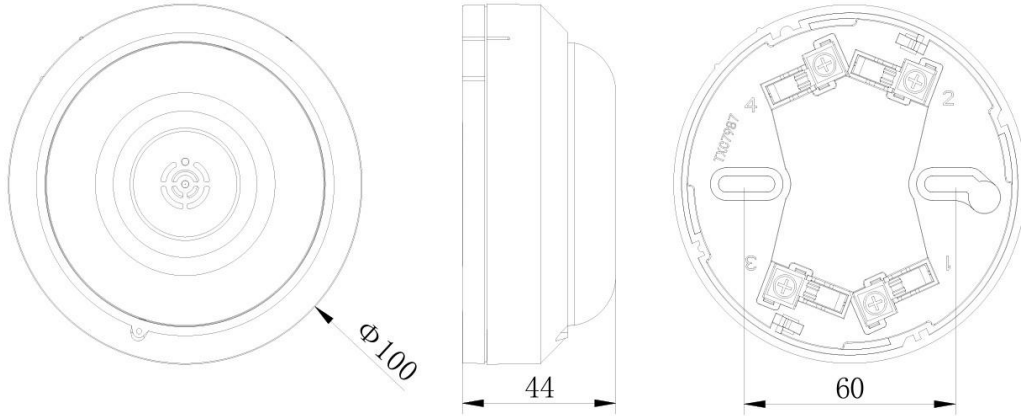
### Technical Specification

<b>Operating voltage</b>	24VDC Range Acceptable: 15~28VDC
<b>Operating Current</b>	<10.0mA
<b>Sound Pressure Level</b>	After starting, the sound changed from small to large, 3 to 5 seconds, 3 meters ahead, 75~105dB
<b>Flashing Frequency</b>	1.0Hz~1.8Hz
<b>Sound Pulsing Frequency</b>	2.5S~4.5S
<b>Color</b>	Red/white
<b>Weight</b>	Weight: About 108g (with base)





For Better Protection



TANDA UK Limited  
80 Colmen Street, London, EC2R5BJ,  
United Kingdom  
T +44 8451162924  
Email: [info@tanda.com](mailto:info@tanda.com)  
Web: [www.tanda.com](http://www.tanda.com)

### TANDAUKLTD | DATASHEET

Copyright © The information contained within these data sheets remains the property of TANDA UK LTD. and is not to be altered or reproduced without written permission. TANDA reserves the right to change any specification without giving prior notice.